



PN40 Brass Ball Valves

Product Specification:-

- Available Sizes:-10mm to 40mm
- End Connection:- BS 21 Taper/NPT
- Corrosion Resistance
- Testing Standard:-As per API 598

Material Specification:-

SR NO.	PART	MOC
1	Body	Brass
2	Ball	Brass Chrome Plated
3	Spindle	Brass
4	Seal	PTFE
5	Nut	Brass
6	Handle	MS
7	Sleeve	PVC

Testing Data:-

Leak Test:- Hydraulic 40Kg/Cm2

C&R VALVES PVT.LTD,

125, NIRMAN IND.ESTATE, CHINCHOLI,
NEW LINK ROAD, MALAD (WEST),
MUMBAI-400064. MAHARASHTRA-INDIA.

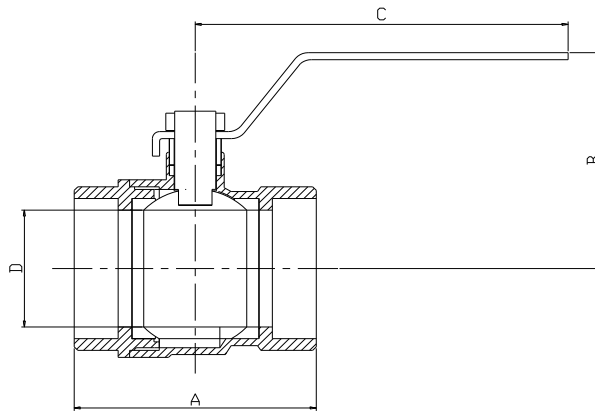
[TEL:--+91-022-28762688/91](tel:+91-022-28762688/91)

Email:-sales@cnrvalves.com

Web:-www.cnrvalves.com



Dimensional Details:-



DN	SIZE	A	B	C	D (Ø)
10MM	3/8"	46.0	36.3	67.6	10.2
15MM	1/2"	58.0	47.3	104.0	13.5
20MM	3/4"	57.8	54.6	120.0	18.5
25MM	1"	68.5	58.5	120.0	24.0
32MM	1-1/4"	75.5	67.0	127.0	30.0
40MM	1-1/2"	89.0	76.3	127.0	40.0

- All Dimensions are in mm.
- Dimensions and design subject to change without notice in course of product development.

C&R VALVES PVT.LTD,

125, NIRMAN IND.ESTATE, CHINCHOLI,
NEW LINK ROAD, MALAD (WEST),
MUMBAI-400064. MAHARASHTRA-INDIA.

[TEL: +91-022-28762688/91](tel:+91-022-28762688/91)

Email: -sales@cnrvalves.com

Web: -www.cnrvalves.com