

Butterfly Valves with Limit Switch

Product Specification:-

- Available Sizes:- 40mm to 500mm
- Temperature Rating: -20 ° C to 80 ° C
- End Connection:- Wafer Flangeless
- Actuation:- By Hand Lever
- Design and Testing Standard:- As per IS 13095/BS 5155
- Installation: - For Flanges drilled as per ANSIB 16.5, DIN 2632/2633 and BS10 Table.
- Limit Switch :- MLBS – 1NO+1NC SNAP ACTION, 10A AC AT 500V, 0.2A DC AT 110V
- Pressure Rating :- Available in PN10/16/20 & 25

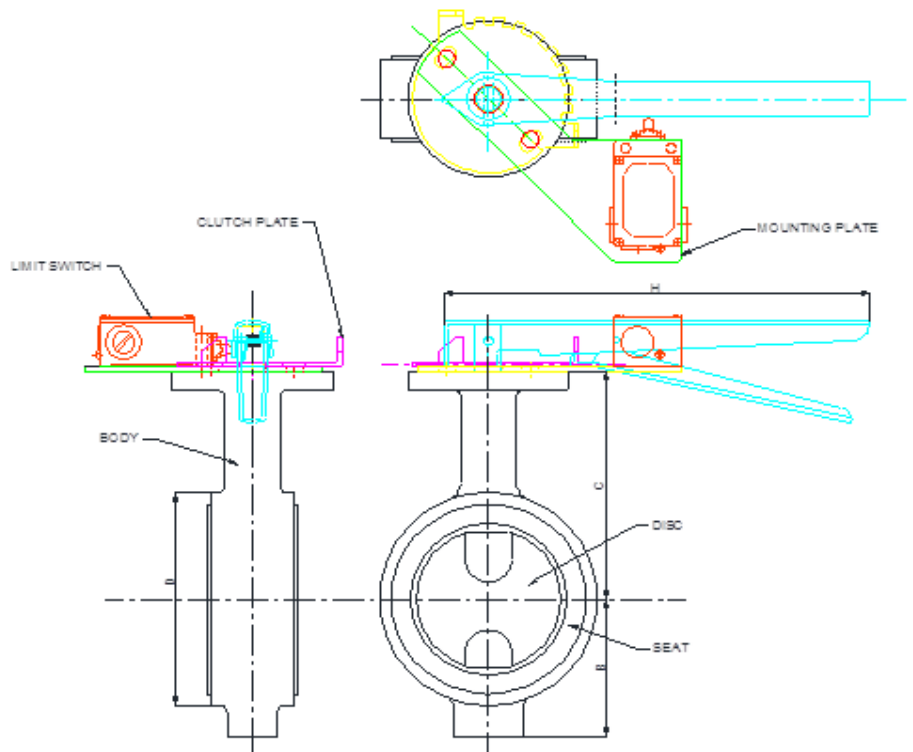
Material Specification:-

SR NO.	PART	MOC
1	Body	IS 210 Cast Iron Grade 220
2	Disc	IS 1865 SG 400/15 (Epoxy Powder Coated)
3	Seat	Nitrile Rubber
4	Shaft	IS 1570 C.S. GRADE 40C 8. (EN 8)/SS 410
5	Bush	Nylon
6	Lever	Carbon Steel
7	Mounting Plate	M.S.Fabricated
8	Limit Switch	IP65 ALU.Die Cast Enclosure with SNAP Actions



Dimensional Details:-

SIZE(MM)	A	B	C	D	H
40	33	50	98	74	207
50	43	65	120	92	242
65	46	70	125	101	242
80	46	79	128	105	242
100	52	92	145	152	290
125	56	106	160	174	290
150	56	121	175	207	355
200	64	150	220	254	420



- All Dimensions are in mm.
- Dimensions and design subject to change without notice in course of product development.

C&R VALVES PVT.LTD,

125, NIRMAN IND.ESTATE, CHINCHOLI,
NEW LINK ROAD, MALAD (WEST),
MUMBAI-400064. MAHARASHTRA-INDIA.

TEL:-+91-022-28762688/91

Email:-sales@cnrvalves.com

Web:-www.cnrvalves.com