



---

## ***PN10 Butterfly Valves***

### **Product Specification:-**

- Available Sizes:-40mm to 500mm
- Temperature Rating: -20 ° C to 80 ° C
- End Connection:- Wafer Flangeless
- Actuation: - By Hand Lever/ Gearbox operated.
- Design and Testing Standard:- As per IS 13095/BS 5155
- Installation: - For Flanges drilled as per ANSIB 16.5, DIN 2632/2633 and BS10 Table.

### **Material Specification:-**

<b>SR NO.</b>	<b>PART</b>	<b>MOC</b>
1	Body	IS 210 Cast Iron Grade 220
2	Disc	IS 210 Cast Iron Grade 220 (Epoxy Powder Coated)
3	Seat	Nitrile Rubber
4	Shaft / Stem	IS 1570 C.S. GRADE 40C 8 ( EN 8)
5	O-Ring	Nitrile Rubber
6	Bush	Nylon
7	Lever / Gear Box	Carbon Steel

### **Testing Data:-**

Hydraulic Test:-Body-15KG/CM2  
Seat-11KG/CM2

---

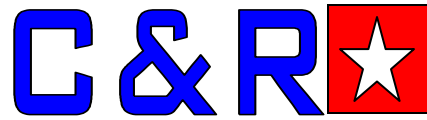
## **C&R VALVES PVT.LTD,**

125, NIRMAN IND.ESTATE, CHINCHOLI,  
NEW LINK ROAD, MALAD (WEST),  
MUMBAI-400064. MAHARASHTRA-INDIA.

[TEL:--+91-022-28762688/91](tel:+91-022-28762688/91)

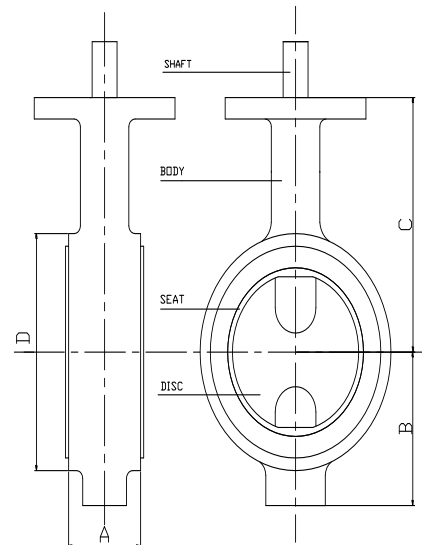
Email:-sales@cnrvalves.com

Web:-www.cnrvalves.com



**Dimensional Details:-**

SIZE(MM)	A	B	C	D
40	33	50	98	73
50	43	65	120	91
65	46	70	125	101
80	46	79	128	114
100	52	92	145	150
125	56	106	160	173
150	56	121	175	206
200	64	150	220	252
250	70	195	266	320
300	82	227	289	374
350	86	250	305	415
400	140	316	434	477
450	152	356	462	527
500	152	381	490	582



- All Dimensions are in mm.
- Dimensions and design subject to change without notice in course of product development.

---

**C&R VALVES PVT.LTD,**

125, NIRMAN IND.ESTATE, CHINCHOLI,  
NEW LINK ROAD, MALAD (WEST),  
MUMBAI-400064. MAHARASHTRA-INDIA.

[TEL:--+91-022-28762688/91](tel:+91-022-28762688/91)

Email:-[sales@cnrvalves.com](mailto:sales@cnrvalves.com)

Web:-[www.cnrvalves.com](http://www.cnrvalves.com)