



---

## ***PN25 Butterfly Valves***

### **Product Specification:-**

- Available Sizes:-50mm to 300mm
- Temperature Rating: -20 ° C to 80 ° C
- End Connection:- Wafer Flangeless
- Actuation:- Lever upto sizes 150mm and Gearbox operated for 200mm and above sizes.
- Design and Testing Standard:- As per IS 13095/BS 5155
- Installation: - For Flanges drilled as per ANSIB 16.5, DIN 2632/2633 and BS10 Table.

### **Material Specification:-**

<b>SR NO.</b>	<b>PART</b>	<b>MOC</b>
1	Body	IS1865 SG Iron 400/15
2	Disc	IS1865 SG Iron 400/15 (Epoxy Powder Coated)
3	Seat	Nitrile Rubber
4	Shaft	SS 410
5	O-Ring	Nitrile Rubber
6	Bush	Nylon
7	Lever / Gear Box	Carbon Steel

### **Testing Data:-**

Hydraulic Test:-Body-37KG/CM2  
Seat-28KG/CM2

---

## **C&R VALVES PVT.LTD,**

125, NIRMAN IND.ESTATE, CHINCHOLI,  
NEW LINK ROAD, MALAD (WEST),  
MUMBAI-400064. MAHARASHTRA-INDIA.

[TEL: +91-022-28762688/91](tel:+91-022-28762688/91)

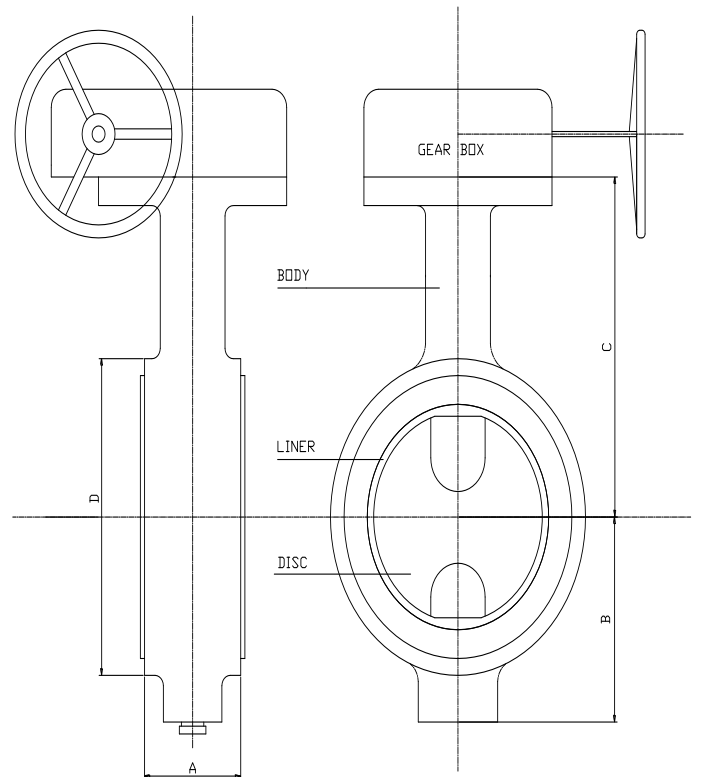
Email:-[sales@cnrvalves.com](mailto:sales@cnrvalves.com)

Web:-[www.cnrvalves.com](http://www.cnrvalves.com)



**Dimensional Details:-**

SIZE(MM)	A	B	C	D
40	33	50	96	73
50	43	64	105	91
65	46	69	111	101
80	46	76	118	114
100	52	94	137	150
125	56	106	156	173
150	56	121	181	206
200	64	150	214	252
250	70	195	245	320
300	82	227	268	374



- All Dimensions are in mm.
- Dimensions and design are subject to change without notice in course of product development.

**C&R VALVES PVT.LTD,**

125, NIRMAN IND.ESTATE, CHINCHOLI,  
NEW LINK ROAD, MALAD (WEST),  
MUMBAI-400064. MAHARASHTRA-INDIA.

[TEL: +91-022-28762688/91](tel:+91-022-28762688/91)

Email: -sales@cnrvalves.com

Web: -www.cnrvalves.com