

PN16 Dual Plate Non-Return Valves

Product Specification:-

- Available Sizes:-50mm to 300mm
- Design Standard:-As per API 594.
- Temperature Rating: -20 ° C to 80 ° C
- End Connection:- Wafer Flangeless
- Inspection and Testing Standard:-As per API 598.
- Recommended for both horizontal & vertical installations.
- Installation: - For Flanges drilled as per ANSIB 16.5, DIN 2632/2633 and BS10 Table.

Material Specification:-

SR NO.	PART	MOC
1	Body	IS 210 Cast Iron Grade 220
2	Disc	ASTM A351 WCB Cast Steel (Epoxy Powder Coated)
3	Seat	Nitrile Rubber
4	Shaft	SS 410
5	Spring	SS 304
6	Bush	Nylon

Testing Data:-

Hydraulic Test:-Body-24KG/CM2
Seat-18KG/CM2

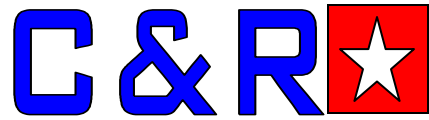
C&R VALVES PVT.LTD,

125, NIRMAN IND.ESTATE, CHINCHOLI,
NEW LINK ROAD, MALAD (WEST),
MUMBAI-400064. MAHARASHTRA-INDIA.

[TEL: +91-022-28762688/91](tel:+91-022-28762688/91)

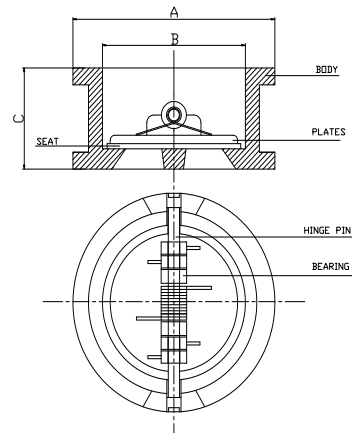
Email:-sales@cnrvalves.com

Web:-www.cnrvalves.com



Dimensional Details:-

	A	B	C	D
1	D/P NON RETURN VALVES			
2	SIZE(MM)	A	B	C
3	50	102	62	55
4	65	112	78	57
5	80	128	92	60
6	100	160	114	66
7	125	185	141	70
8	150	214	170	80
9	200	268	219	100
10	250	330	278	150
11	300	380	324	185



- All Dimensions are in mm.
- Dimensions and design subject to change without notice in course of product development.

C&R VALVES PVT.LTD,
 125, NIRMAN IND.ESTATE, CHINCHOLI,
 NEW LINK ROAD, MALAD (WEST),
 MUMBAI-400064. MAHARASHTRA-INDIA.
[TEL:--+91-022-28762688/91](tel:+91-022-28762688/91)
 Email:-sales@cnrvalves.com
 Web:-www.cnrvalves.com