



PN25 Dual Plate Non-Return Valves

Product Specification:-

- Available Sizes:-50mm to 300mm
- Design Standard:-As per API 594.
- Temperature Rating: -20 ° C to 80 ° C
- End Connection:- Wafer Flangeless
- Inspection and Testing Standard:-As per API 598.
- Recommended for both horizontal & vertical installations.
- Installation: - For Flanges drilled as per ANSIB 16.5, DIN 2632/2633 and BS10 Table.

Material Specification:-

SR NO.	PART	MOC
1	Body	IS1865 SG Iron 400/15
2	Disc	ASTM A351 WCB Cast Steel (Epoxy Powder Coated)
3	Seat	Nitrile Rubber
4	Shaft	SS 410
5	Spring	SS 304
6	Bush	Nylon

Testing Data:-

Hydraulic Test:-Body-37KG/CM2
Seat-28KG/CM2

C&R VALVES PVT.LTD,

125, NIRMAN IND.ESTATE, CHINCHOLI,
NEW LINK ROAD, MALAD (WEST),
MUMBAI-400064. MAHARASHTRA-INDIA.

[TEL:-+91-022-28762688/91](tel:+91-022-28762688/91)

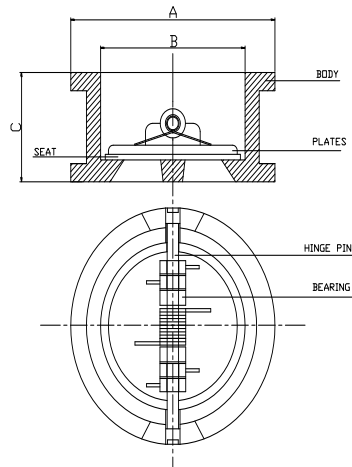
Email:-sales@cnrvalves.com

Web:-www.cnrvalves.com



Dimensional Details:-

D/P NON RETURN VALVES			
SIZE(MM)	A	B	C
50	102	62	55
65	112	78	57
80	128	92	60
100	160	114	66
125	185	141	70
150	214	170	80
200	268	219	100
250	330	278	150
300	380	324	185



- All Dimensions are in mm.
- Dimensions and design subject to change without notice in course of product development.

C&R VALVES PVT.LTD,
125, NIRMAN IND.ESTATE, CHINCHOLI,
NEW LINK ROAD, MALAD (WEST),
MUMBAI-400064. MAHARASHTRA-INDIA.
[TEL:--+91-022-28762688/91](tel:+91-022-28762688/91)
Email:-sales@cnrvalves.com
Web:-www.cnrvalves.com